

# USER'S GUIDE

## USUAL MAINTENANCE

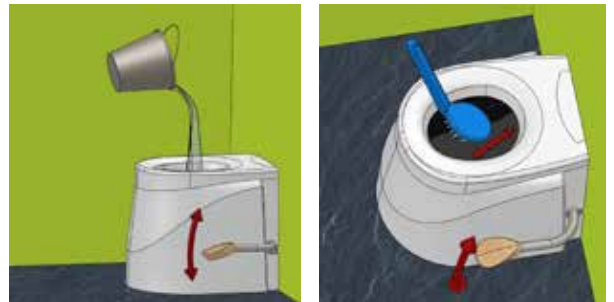
The normal upkeep allows the toilets to stay clean for usage. With a toilet brush and a bucket of water (1 to 5 liters), you have enough to clean the dirtiest parts of the toilet system like with a normal 'water flush' toilet. Installing a shower head next to the toilet enables one to facilitate cleaning.



**Using regular cleaning products is possible** as the used liquids join the house's normal sewage evacuation system, and thus does not contaminate the compost.

Ecodomeo recommends cleaning the belt every week or two (depending on the use).

- Fill the bucket and pour the water gently on the belt (or spraying with the shower head) while advancing the belt with the pedal until all is wet.
- Then, clean the belt with the scrub brush, rinsing with water as you go.
- Once the belt has completely turned on itself, it should be clean.



## TECHNICAL MAINTENANCE

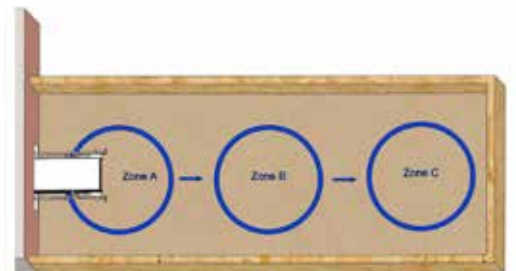
### 1 | MOVING THE FECAL COMPOSTING MATERIAL

The composting space is divided into 3 zones (or eventually 4 depending on the usage)

**ZONE A** : Fresh material which drops directly off of the belt

**ZONE B** : The first drying/composting zone

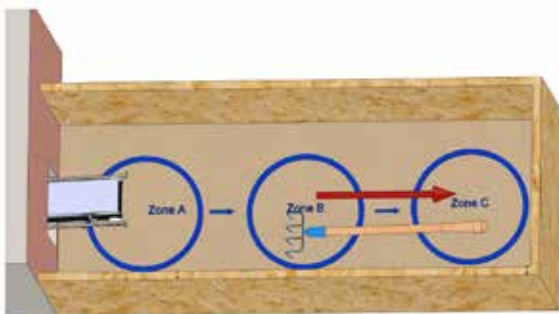
**ZONE C** : Final composting zone



The material should be moved to from A to B and then to C with a mud rake. Please grind the teeth of the mud rake down so as not to pierce the floor's plastic film. To be in regulations with the French administration, please use a plastic PVC lining or a CPPM taking care that the border goes up to 20 or 30 cm above the surface of the floor's space.

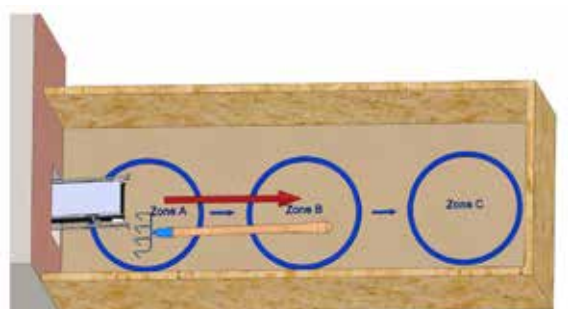


**When entering the room's first zone (A) please move the used material from A to B to C.**



**It is recommended to do this several times a year depending on the space and the usage of the toilette (s).**

**One should do this at least one time per year, moving the material from the zone B to the zone C and so on.**

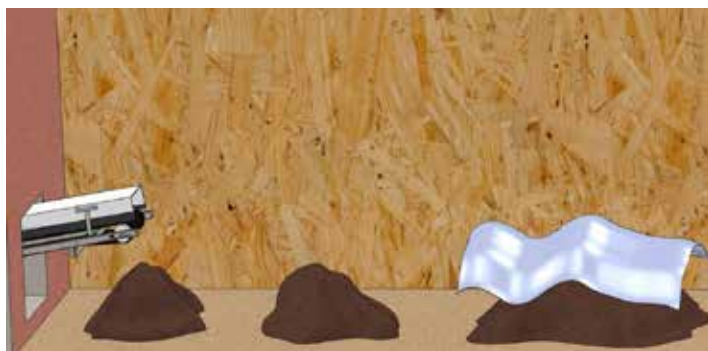


**To recuperate the compost, take out the material directly from the C zone before moving the fecal material from B to C.**

You will need to water the zones B and C with a bucket ( 1 to 5 liters),



after which covering the 2 zones with plastic or hay to preserve the humidity (necessary for the earthworm's existence).

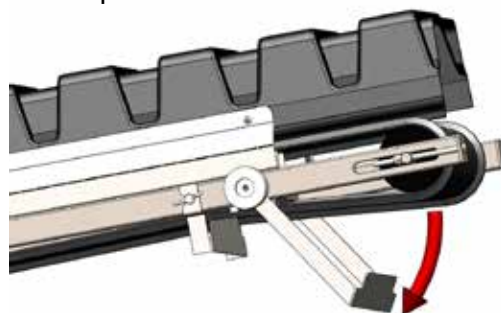
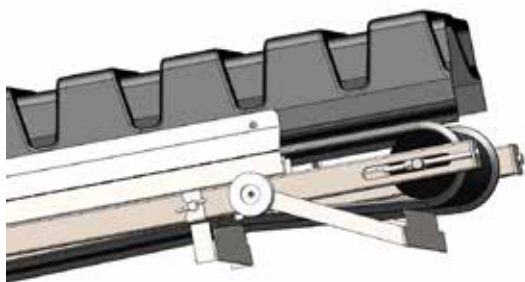


A handful of compost is essential to start the composting procedure but only after 6 months or one year of usage in the zone B.

## 2 | CLEANING THE SCRAPERS

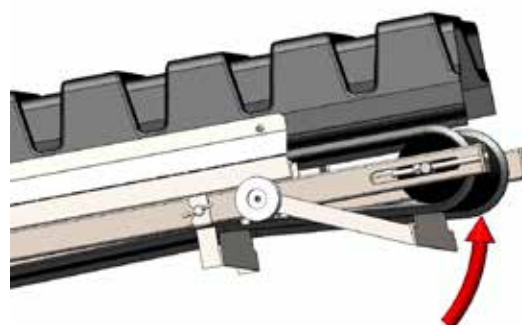
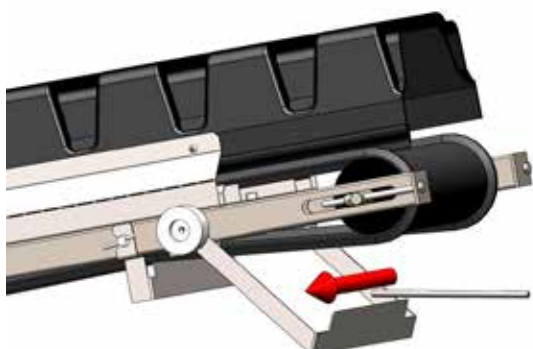
The belt is accommodated with two different blades on its end for good cleaning.

The first blade should be cleaned as soon as you have moved the compost material from zone A to B. The first blade is attached with a hinge so you only need to pull it off of the belt to clean it.

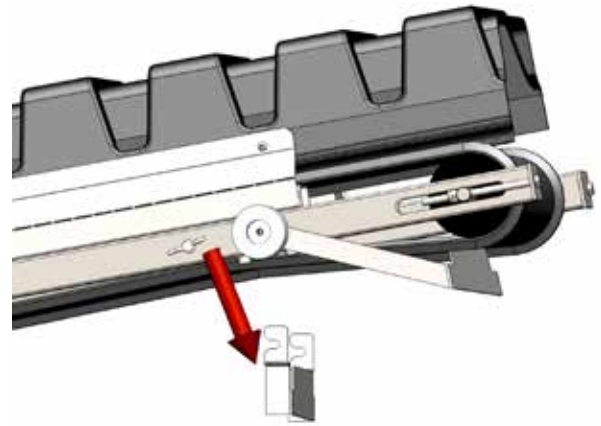
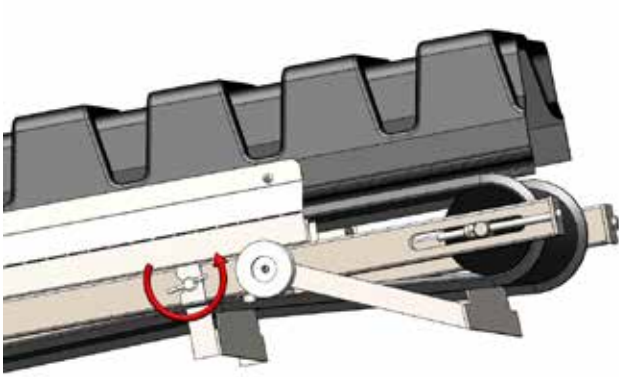


Use a small piece of wood or a similar tool to clean the blade.

Gently put it back into place when finished.

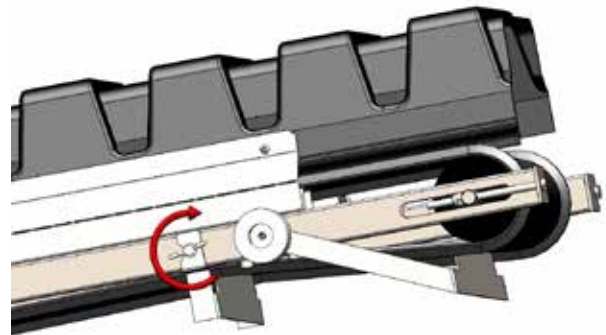
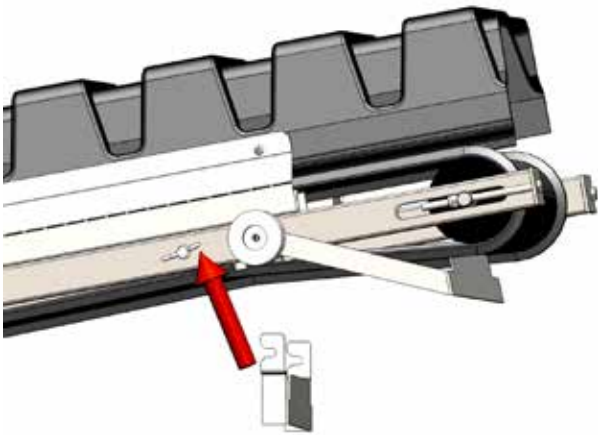


**The second blade only needs to be cleaned once a year.**  
Turn the two butterfly screws only twice in order to remove the piece.



Clean it and then return it to its original place.

Holding the blade while turning back in the screws.

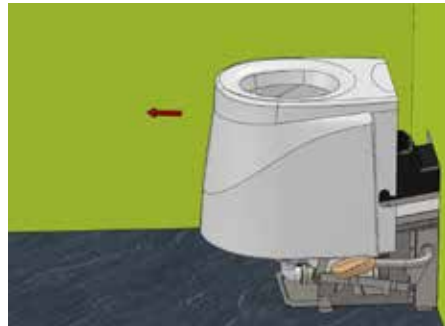


### **3 | CLEANING THE URINE TANK**

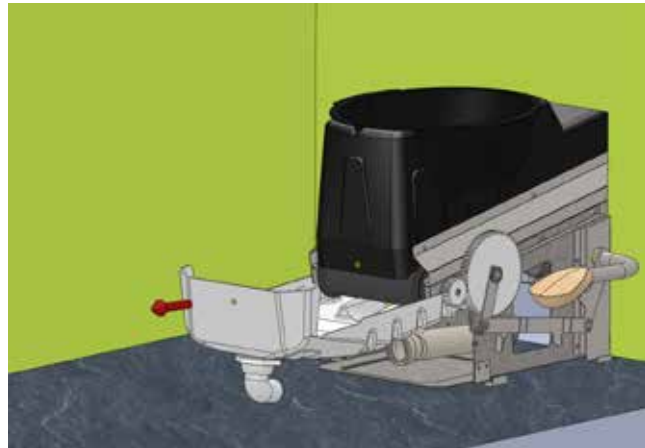
**It is important to clean the urine tank twice a year.**

The access is found behind the toilet.

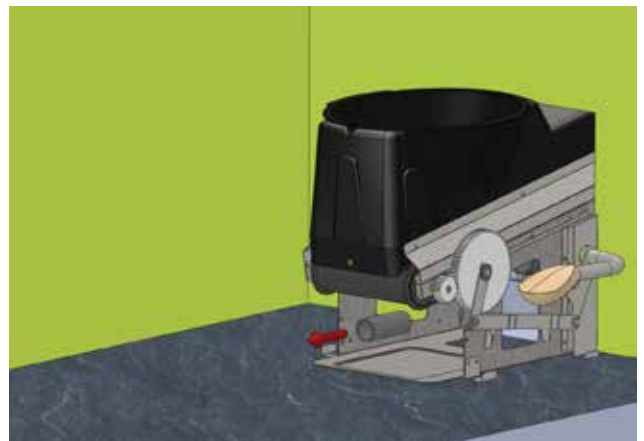
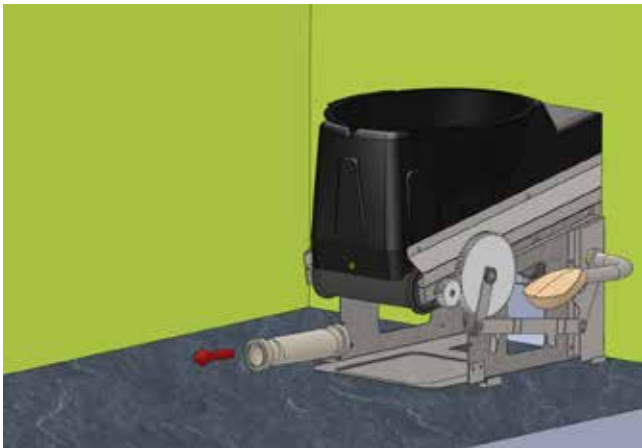
Take off the seat. Turn the plastic butterfly screw and carefully take off the urine container.



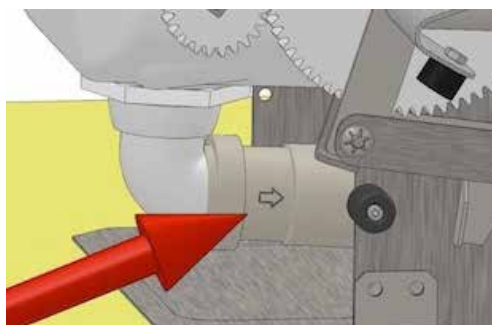
Remembering to disconnect the used water pipe under the container.



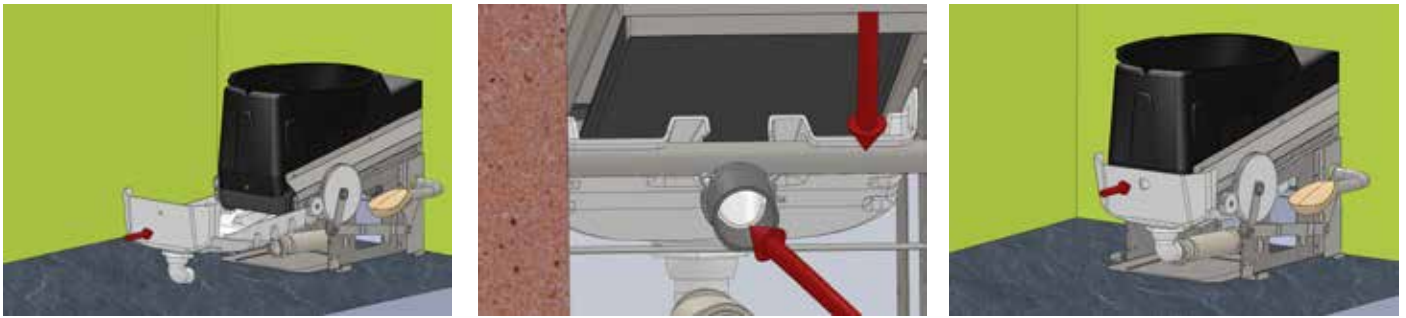
Take out the siphon and then the hose in order to clean the tank.



After cleaning, re-install the tank and a clean siphon following the diagram.



When the urine container is clean, put it back into place sliding along the bars on the belt. The container should be posed in the axe of the pedal and the bottle neck into the overflow pipe. Hold the container slightly upwards in order to easily screw the butterfly nuts back into place. Don't force when tightening the screws. Hook up the siphon to the out water exit.



Put the toilet seat back into place being careful that it is lined up with the pedal.



#### 4 | CLEANING THE FAN

The fan should be checked once a year.

If you have a double flux system, check with your supplier for required maintenance.

If not, clean the screen and verify that the ventilation works without any noise.

If any doubts, take off the ventilation screen and wipe it clean with a towel.

